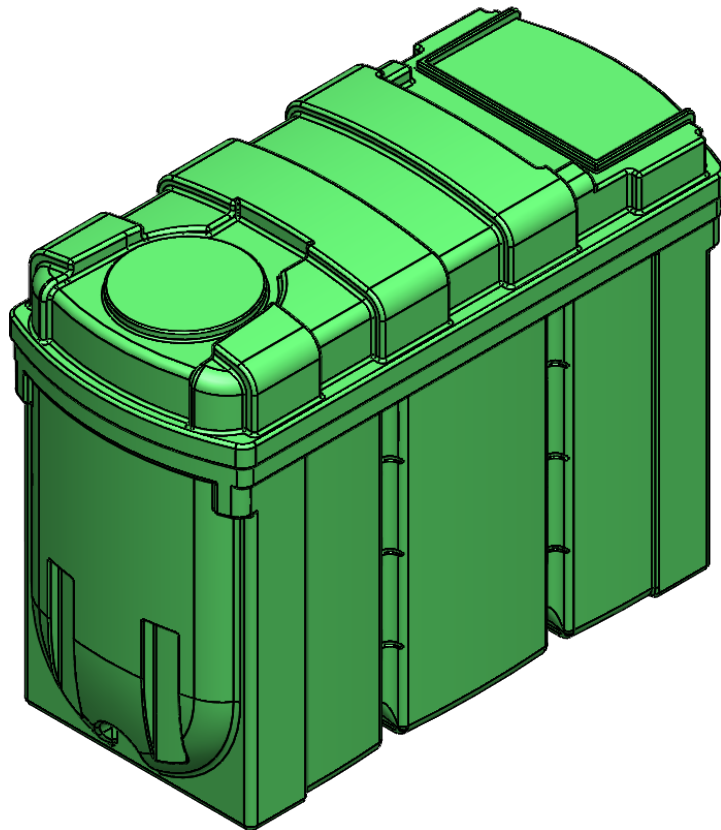


DESO

DESO Engineering
Slade Way
Roughmoor Industrial Estate
Williton
Somerset
TA4 4TB

Telephone - 01984 632026
sales@desoengineering.co.uk



H1550 BUND

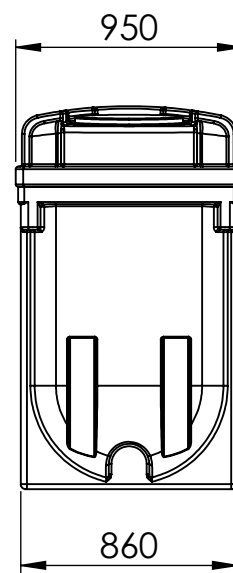
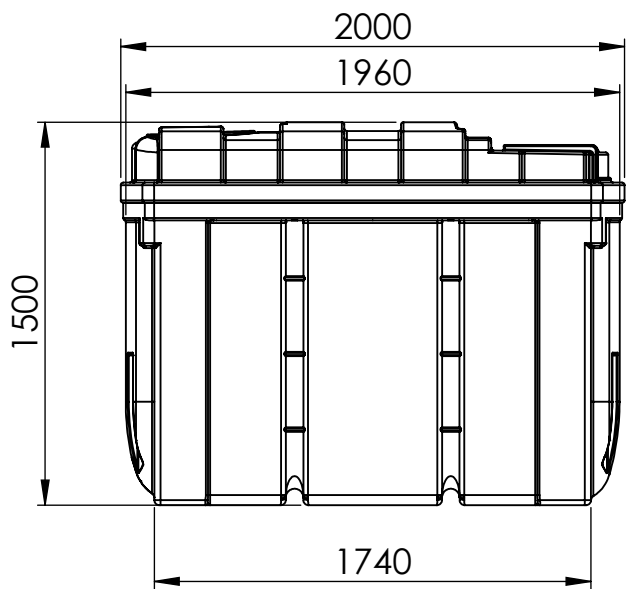
WEIGHT	70 KG
CAPACITY	1550 LITRES
LENGTH	2000MM
WIDTH	950MM
HEIGHT	1500MM
OFCERT LICENSE NO.	-

2

1

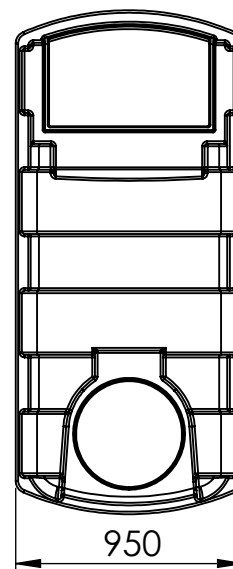
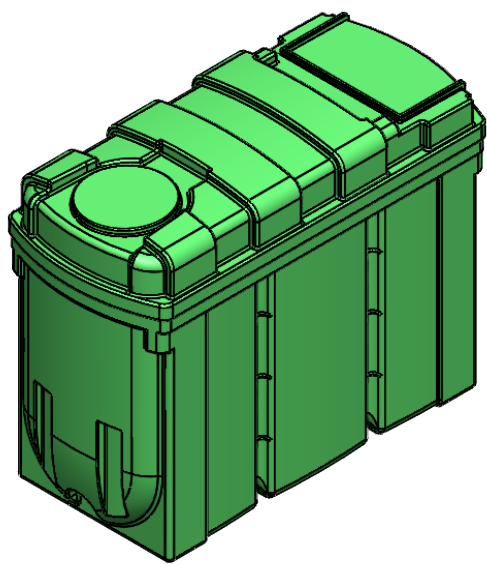
B

B



A

A



DRAWN BY: AARON CLARKE
 DATE: 02/07/18
PROPRIETARY AND CONFIDENTIAL
 THE INFORMATION CONTAINED IN THIS
 DRAWING IS THE SOLE PROPERTY OF
 KINGSPAN ENVIRONMENTAL T/A DESO
 ENGINEERING. ANY
 REPRODUCTION IN PART OR AS A WHOLE
 WITHOUT THE WRITTEN PERMISSION OF
 KINGSPAN ENVIRONMENTAL T/A DESO
 ENGINEERING IS
 PROHIBITED.

DWG. NAME. REV
H1550 BUND **1**

SCALE: 1:30 WEIGHT: 70 SHEET 2 OF 2

2

1