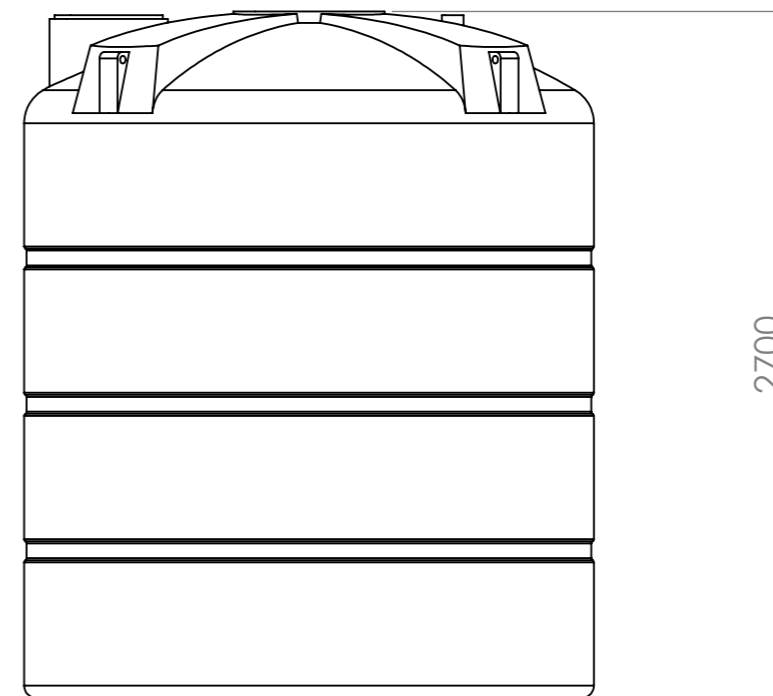
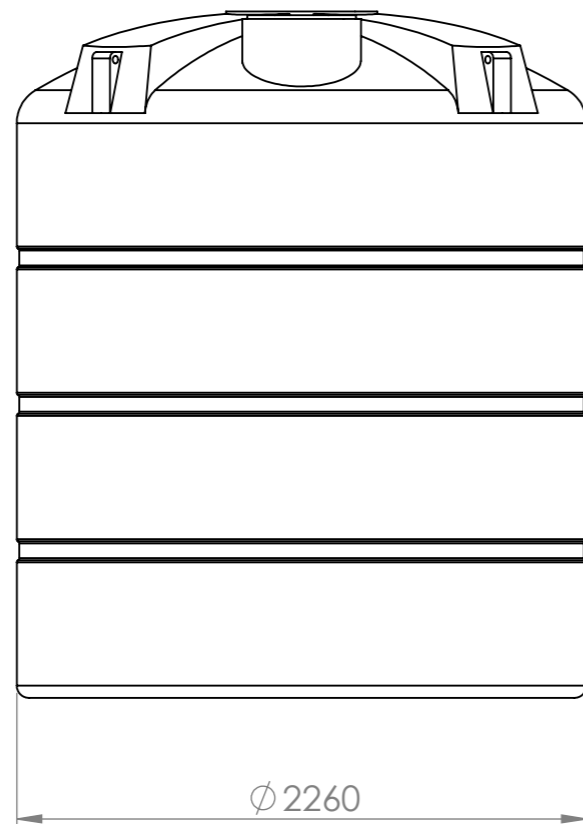


Weight: 180kg
Capacity: 10,000L



Please check with Kingspan Environmental that this drawing is the latest issue				
Issue	Date	Drawn by	Approved by	Description
01				Initial Release

Material : PE
Finish : Standard
Weight : 180 Kgs

Tolerance :
Thickness :
Surface Area :

Drawing : Deso V10000	Page 1 of 1
DESO V10000	

All dimensions in mm	Scale: Not to scale
----------------------	---------------------

Deso Engineering reserve the right to alter the details of this drawing without prior notice. This drawing is copyright and may not be reproduced or used without the written permission of Deso Engineering.

