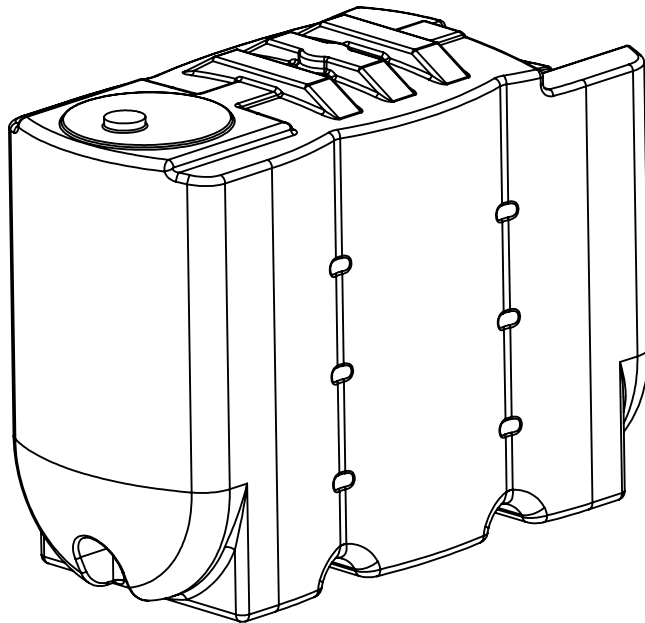


DESO

DESO Engineering
Slade Way
Roughmoor Industrial Estate
Williton
Somerset
TA4 4TB

Telephone - 01984 632026
sales@desoengineering.co.uk



H1550 INNER

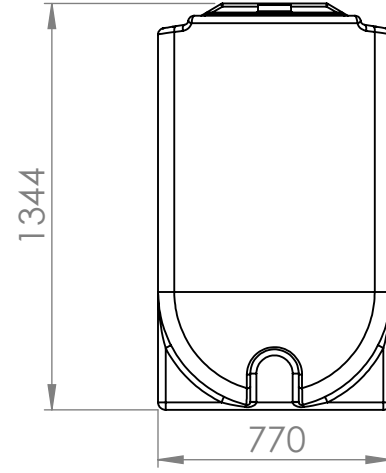
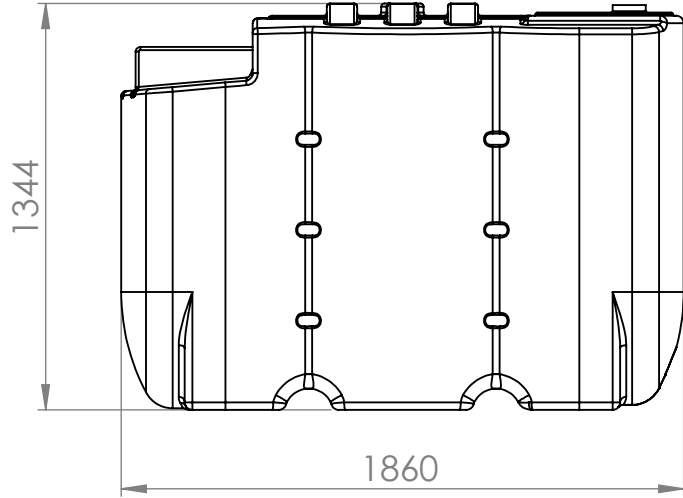
WEIGHT	60 KG
CAPACITY	1550 LITRES
DIAMETER	-
LENGTH	1860MM
WIDTH	770MM
HEIGHT	1344MM
OFCERT LICENSE NO.	0668101701

2

1

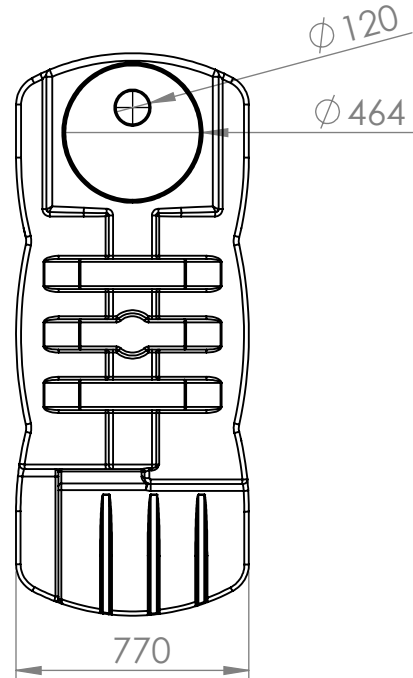
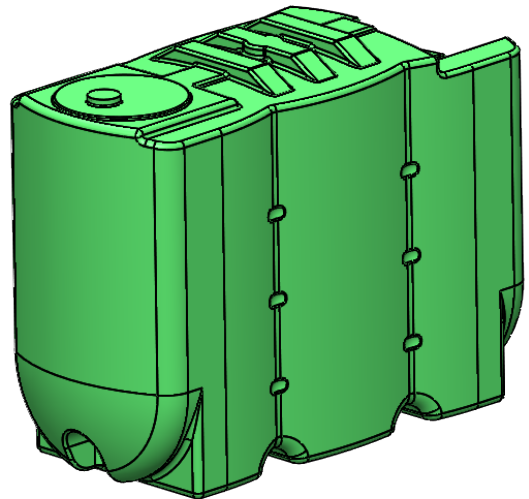
B

B



A

A



DRAWN BY: AARON CLARKE
 DATE: 22/02/18
PROPRIETARY AND CONFIDENTIAL
 THE INFORMATION CONTAINED IN THIS
 DRAWING IS THE SOLE PROPERTY OF
 KINGSPAN ENVIRONMENTAL T/A DESO
 ENGINEERING. ANY
 REPRODUCTION IN PART OR AS A WHOLE
 WITHOUT THE WRITTEN PERMISSION OF
 KINGSPAN ENVIRONMENTAL T/A DESO
 ENGINEERING IS
 PROHIBITED.

DWG. NAME.	REV
H1550 INNER	1
SCALE: 1:25	WEIGHT: 55
SHEET 2 OF 2	

2

1