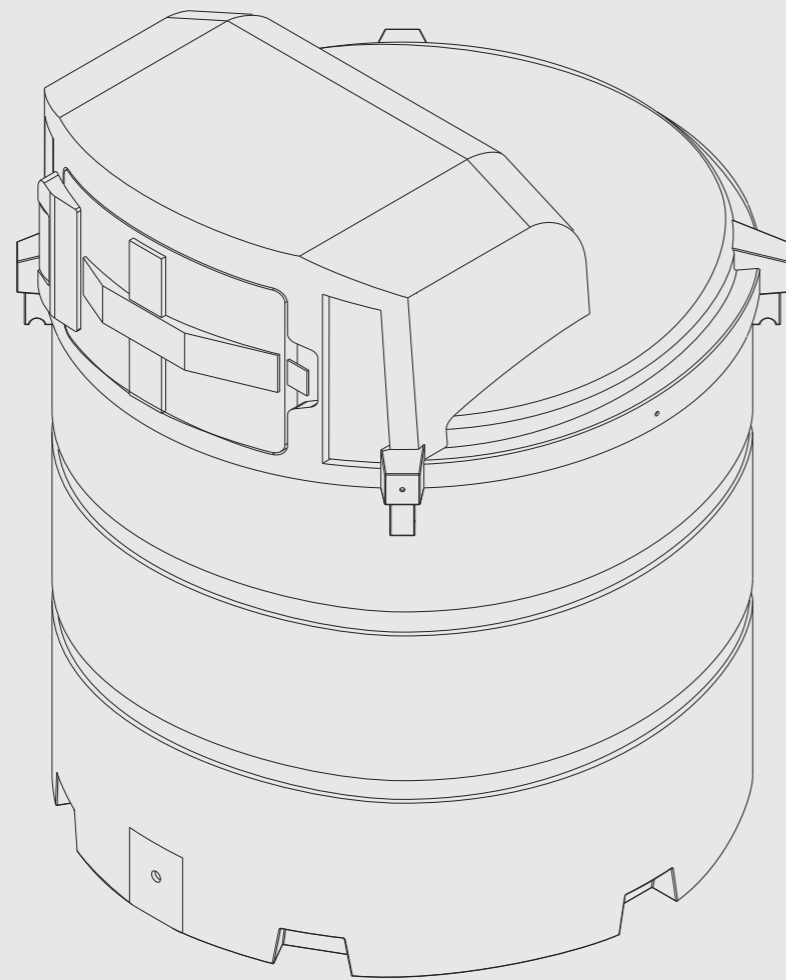


DESO

ENGINEERING

Deso Engineering
Slade Way
Roughmoor Industrial Estate
Williton
Somerset
TA4 4TB

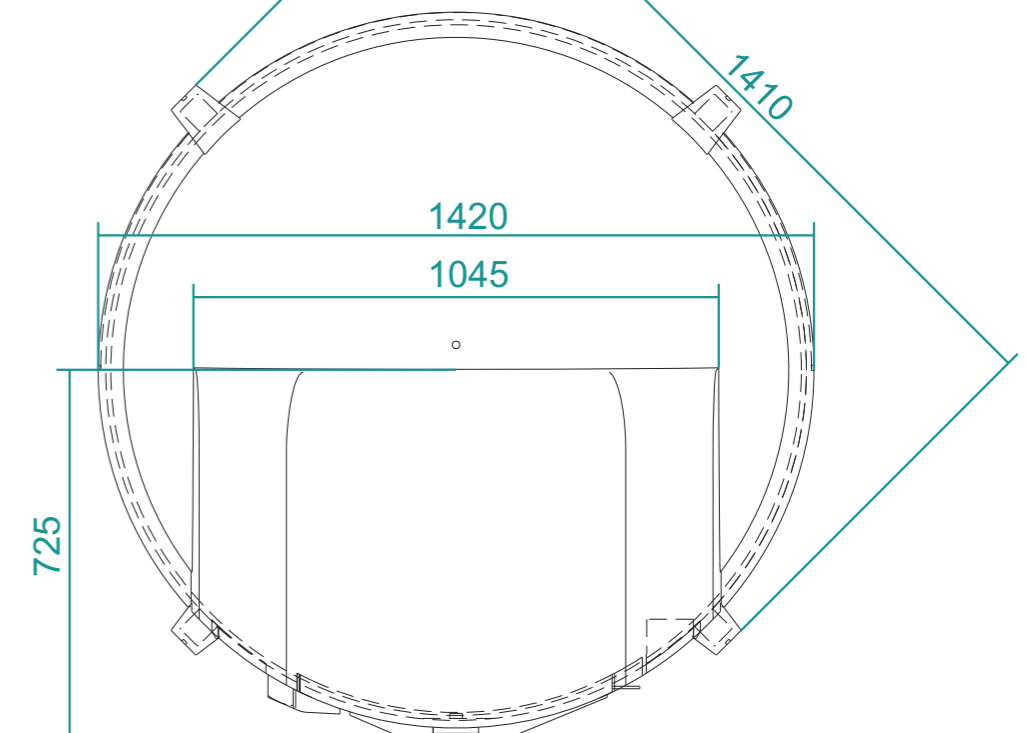
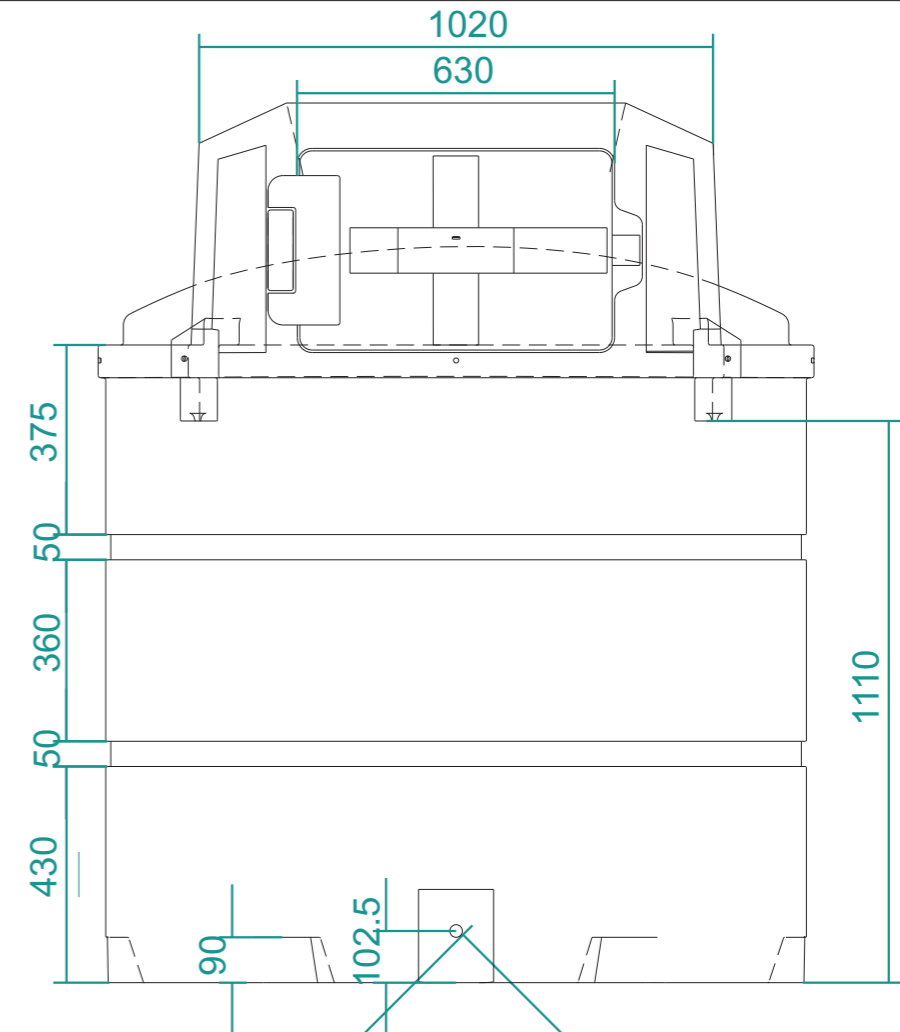
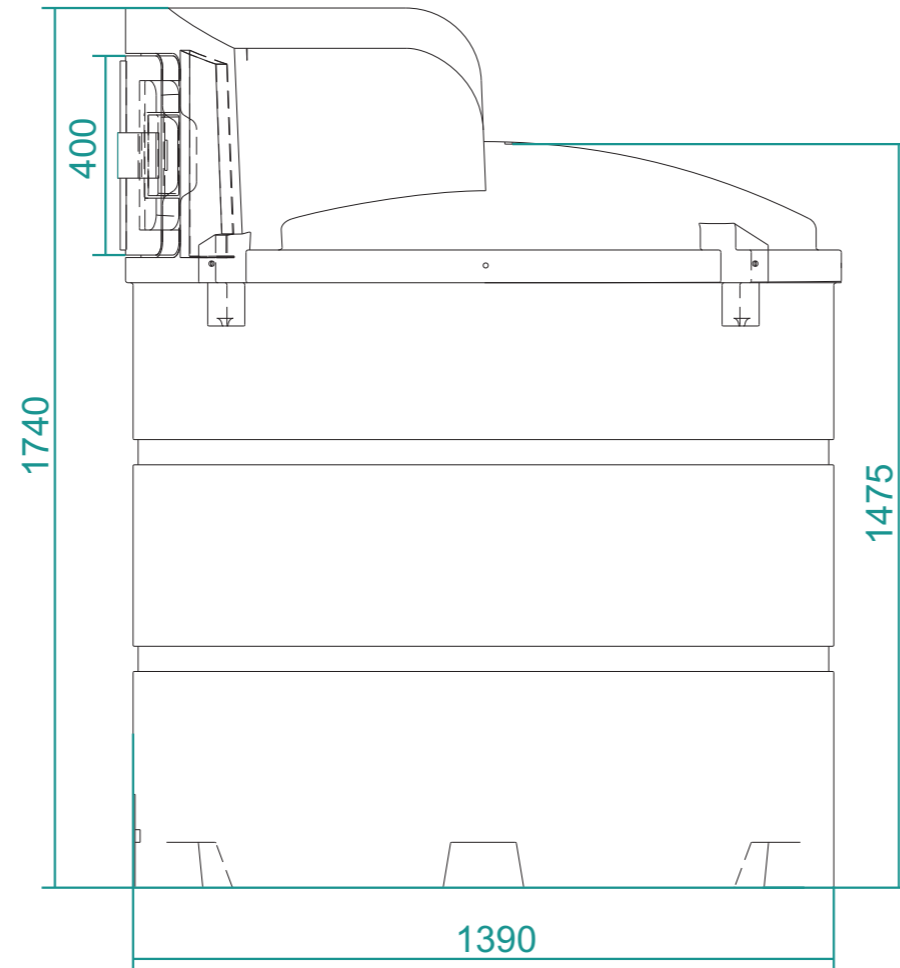
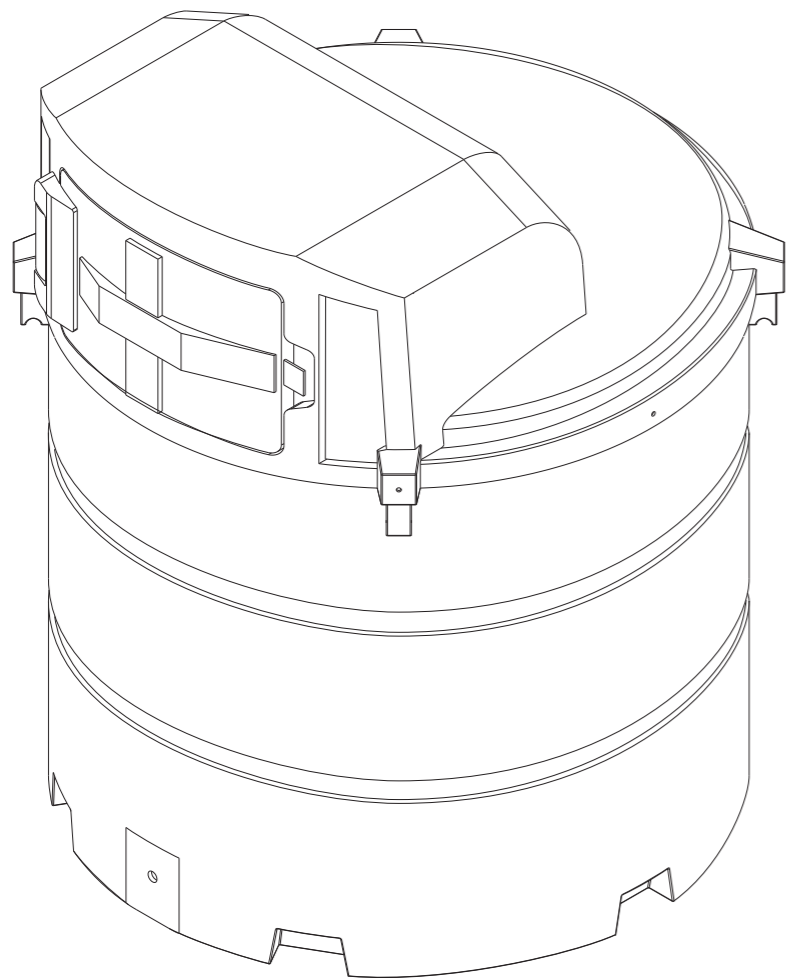
Telephone - 01984 632026
Fax - 01984 634267
enquiries@desoengineering.co.uk



V1340DD

Weight	125kg
Capacity	1300litres
Diameter	1390mm
Length	-
Width	1410mm
Height	1740mm
Ofcert licence No.	0668060210

V1340DD



V1340DD	No. 1 of 1	3rd Angle Orthographic	scale: 1:15	Design by Inky Design www.inky-design.co.uk
DESO ENGINEERING Telephone - 01984 632026		drawn by: Jonathan Taphouse (BEng)		
		date: 20 - 10 - 2010	ISO	